

FIXED FRAME Series Projection Screen

Specification

Adjustable Fixed-Frame Series

Format	Model	Specification (inch)	Viewing Area (W x H)	Package (L x H x W)	Packing Size (L x H x W)
Horizontal Adjustable Fixed-Frame Screen					
	LF-HMF-92	92	2150x 915	2450x1125x60	2470x308x152
	LF-HMF-100	100	2337x 995	2637x1205x60	2630x308x152
	LF-HMF-106	106	2477x1054	2777x1264x60	2767x308x152
2.35:1	LF-HMF-110	110	2571x1094	2870x1304x60	2860x308x152
	LF-HMF-120	120	2805x1193	3164x1404x60	3094x308x152
	LF-HMF-125	125	2921x1243	3221x1453x60	3206x308x152
	LF-HMF-130	130	3038x1293	3338x1503x60	3307x308x152
	LF-HMF-132	132	3085x1313	3385x1523x60	3346x308x152
Vertical Adjustable Fixed-Frame Screen					
	LF-VMF-77W	77	1705x 958	1915x1258x60	2095x370x240
	LF-VMF-80W	80	1771x 995	1981x1296x60	2161x370x240
16:9	LF-VMF-92W	92	2037x1145	2247x1445x60	2427x370x240
	LF-VMF-100W	100	2214x1245	2424x1545x60	2604x370x240
	LF-VMF-106W	106	2346x1320	2556x1620x60	2736x370x240
	LF-VMF-120W	120	2656x1494	2866x1794x60	3046x370x240

Concave Perm-Fixed Series

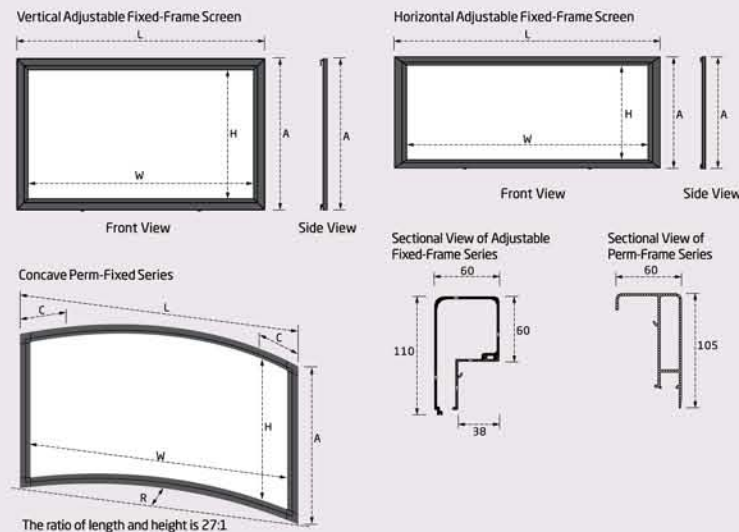
Format	Specification (inch)	Viewing Area (W x H)	Frame Size (B)	C	Packing Size (L x H x W)	Net Weight (Kg)
16:9	77	1704x 958	80	410	1840x330x130	9.4
	80	1771x 996	80	443	1907x330x130	9.7
	92	2037x1145	80	501	2173x330x130	11.3
	100	2214x1245	80	590	2350x330x130	12.2
	106	2346x1319	80	580	2485x330x130	12.7
16:9	112	2479x1394	80	641	2615x330x130	13.5
	120	2656x1494	80	660	2792x330x130	14.2
	150	3320x1867	80	842	3456x330x130	17.8

Large-Flat Series(Prestige / Ultimate)

Format	Specification (inch)	Viewing Area (W x H)	Frame Size (B)	C	Package (L x H x W)	Net Weight (Kg)
Prestige						
4:3	100	2030 x 1524	80	500	2190 x 1684 x 35	12.3
	120	2438 x 1829	80	600	2598 x 1989 x 35	14.7
	150	3048 x 2286	80	700	3208 x 2446 x 35	18.5
	92	2037 x 1145	80	500	2197 x 1305 x 35	11.0
	100	2214 x 1245	80	500	2374 x 1405 x 35	11.9
16: 9	106	2346 x 1320	80	600	2506 x 1480 x 35	12.5
	120	2656 x 1494	80	600	2816 x 1654 x 35	14.2
	150	3320 x 1867	80	800	3480 x 2027 x 35	15.5
	103	2407 x 1025	80	600	2567 x 1185 x 35	12.6
	115	2687 x 1145	80	600	2847 x 1305 x 35	13.1
125	2921 x 1245	80	700	3081 x 1405 x 35	14.0	
Ultimate						
4:3	100	2030 x 1524	100	500	2230 x 1724 x 40	18.7
	120	2438 x 1829	100	600	2638 x 2029 x 40	22.2
	150	3048 x 2286	100	700	3248 x 2486 x 40	27.5
	180	3658 x 2743	100	900	3858 x 2943 x 40	28.2
	92	2037 x 1145	100	500	2237 x 1345 x 40	17.9
16: 9	100	2214 x 1245	100	500	2414 x 1445 x 40	19.3
	106	2346 x 1320	100	600	2546 x 1520 x 40	20.3
	120	2656 x 1494	100	600	2856 x 1694 x 40	22.8
	150	3320 x 1867	100	800	3520 x 2067 x 40	26.5
	180	3984 x 2240	100	900	4184 x 2440 x 40	27.1
200	4427 x 2489	100	1000	4627 x 2689 x 40	30.5	
2.35: 1	103	2407 x 1025	100	600	2607 x 1225 x 40	20.0
	115	2687 x 1145	100	600	2878 x 1345 x 40	21.8
	125	2921 x 1245	100	700	3121 x 1445 x 40	25.0

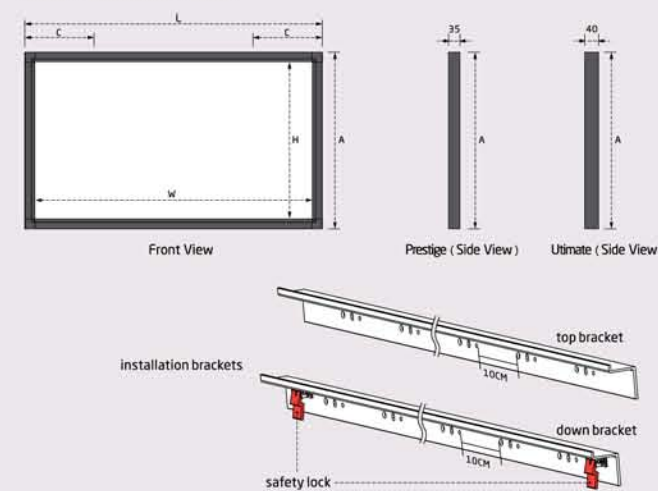
Note: 1. Unremarked measurements are default to be MM.
2. The ratio of length and height is 27:1, customized is acceptable.
3. Above parameters could be changed due to product improvement.

2-D View



The ratio of length and height is 27:1

Large-Flat Series(Prestige / Ultimate)



FIXED FRAME Series Projection Screen

Large-Flat | Concave Perm-Fixed | Adjustable Fixed-Frame



FIXED FRAME Series
Projection Screen

Adjustable Fixed-Frame Series

One Button Manual Control System with no electrical Components needed! It is simple to use, consumer friendly and provides a professional look and appeal. By simply pulling the masks, the screen format can be converted between 2.35:1, 16:9 or 4:3 freely.

Inbuilt Innovative Movable Masking System
(For the Vertical Masking Screen only)

To retract both sides evenly when any one side is pulled.

Inbuilt Braking System

This key features ensures that the screen retracts slowly and steadily.

Easy Operation

The grips on the masking system are designed to be suitable and easy to use.

Easy Installation

By selecting the Aluminum alloy wrapped in velvet, the screen is light and beautiful. Plus it has an Universal Mounting system to ensure an easy installation.



Unique Movable Masking System
(For Vertical Masking Screen only)



2.35:1 16:9 4:3

Horizontal Adjustable Fixed-Frame Screen

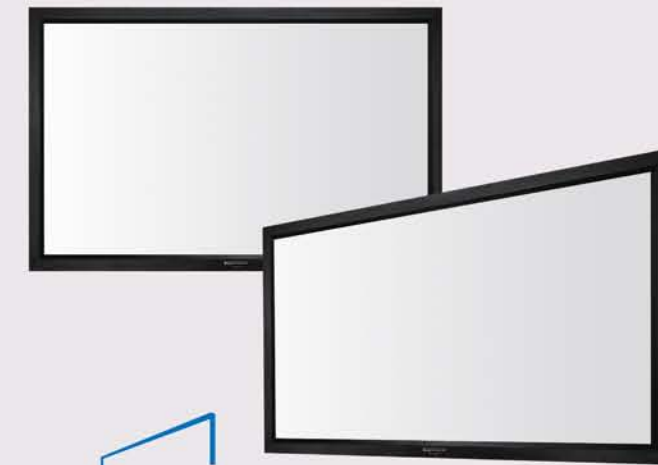
As the home theatre experience and choice continue to expand, users now have the option of 2.35:1 formats promoting multi-format screens to be designed. Grandview's Horizontal Adjustable Fixed-Frame Screen is available in the 2.35:1 format. With an innovative movable masking system, it allow viewers to adjust the viewable area to 4:3 and 16:9.



16:9 2.35:1

Vertical Adjustable Fixed-Frame Screen

While the majority of home theatre projectors utilize a native 16:9 format, there are a growing number of projectors that have the capability to display 2.35:1. Grandview's Vertical Adjustable Fixed-Frame Screen is available in the 16:9 format and can be easily and professionally adjusted to a 2.35:1 with Grandview Unique Masking System.



Large-Flat Permanent Fixed-Frame Screen

Large-Flat Series

Special Flat-Panel TV

Grandview's Large-Flat Permanent Fixed-Frame screen is a solution for the size limitation problem that comes with Traditional TV. The Permanent Fixed-Frame brings home the big screen theatre experience. Setting itself apart from normal screens, Grandview's Permanent Fixed-Frame screen features a plane positioning design that ensures equal tension from every side which makes the projection surface as flat as possible. The optional perforated screen material features the most advanced perforation technology that ensures both picture and sound is showcased at an optimal level. Grandview Permanent Fixed-Frame screen is the enthusiast's choice for user in a dedicated application.

4 Sided Tension Design

The steel tension bars along with the fixing lugs stretch and tightens. The screen fabric will be completely flat and wrinkle-free. The tension can be adjusted to ensure an evenly tensioned surface.



One Button Uninstall

By pressing the One button uninstall located under the install brackets, the whole screen can easily be taken down for cleaning.



Prestige Fixed Frame Screen Structure

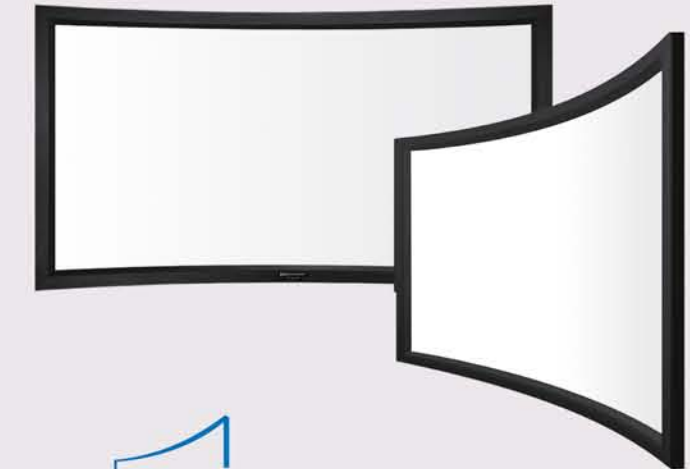
*Aluminum alloy frame wrapped in velvet.
*45 corner connecting bracket fits perfectly and Easy to install 80cm Bevelled Frame.
*Used for sizes 150" and Below.

Ultimate Fixed Frame Screen

*Aluminum alloy frame wrapped in velvet.
*Corner Bracket are fixed by screws which ensure the connecting bracket is firm and rigid.
*100mm Bevelled Frame.
*Used for sizes 150" and Above.

Optional Fabric

<p>Perforate Fabric(AT series) Grandview perforated screen material features the most advanced perforation technology that ensures both picture and sound is showcased at an optimal level.</p>	<p>DVI High Gain Fabric (Perforated Fabric) Gain: 1.8 Holed diameter: 0.8mm</p>	<p>High Definition White Fabric (Perforated Fabric) Gain: 1.0 Holed diameter: 0.8mm</p>	<p>Perforated Weave Matte Fabric Gain: 0.9 The Holes Area: 7%</p>	<p>High Definition White Fabric Gain: 1.0</p>	<p>High Definition Grey Fabric Gain: 0.8</p>	<p>Rear Projection Fabric Gain: 1.8</p>
---	---	---	---	---	--	---



Curved Permanent Fixed-Frame Screen

Concave Perm-Fixed Series

Designed for Optimal Viewing

Grandview's Large-Flat Permanent Fixed-Frame is designed for the most precision and enthusiast oriented applications. It features an advanced aluminum structure with the goal of creating an image made to fit the natural curve of the human eye. The Design is created to eliminate problems caused by different distances between the projector and the screen. This screen brings high definition viewing to a high level.

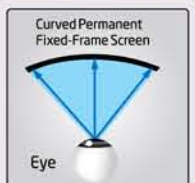
4 Sided Tension Design

The steel tension bars along with the fixing lugs stretch and tightens. The screen fabric for is to be completely flat and wrinkle-free. The tension can be adjusted to ensure an evenly tensioned surface.



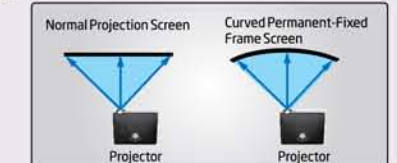
More Accurate, Realistic; A feast for Your Eyes

Bases on the feature of eyeball to achieve high definition, and balance the focus of screen with purpose of achieving perfect effect between screen image and visual experience.



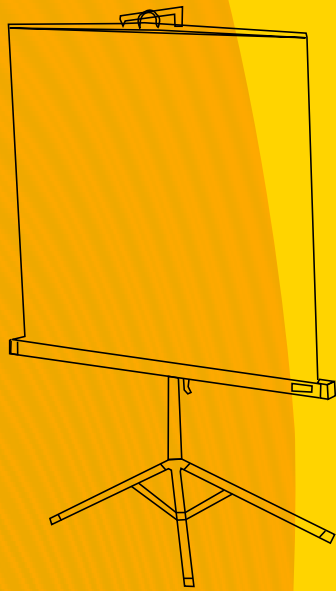
More Uniform, Detailed, Taking you into your Film World

Bases on the projector's Sphere to make the image uniform and perfectly focused.



Liberty **LITE**®

TRIPOD Screen

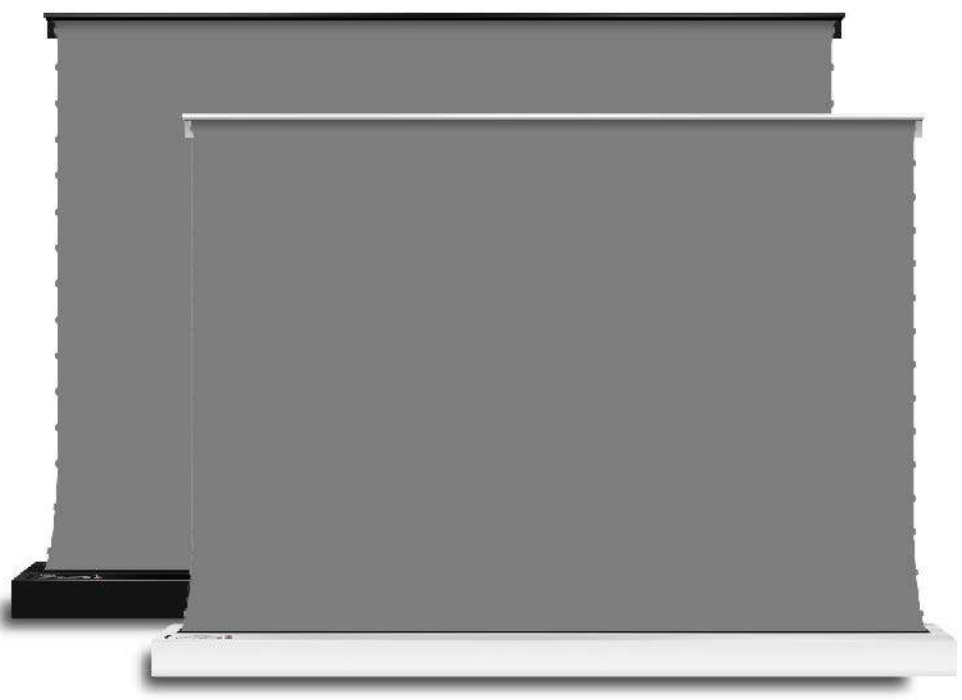


Portability, simple and quick operation tripod foldable projection screen.

Strong and sturdy frame with advanced bracket, lightweight and beautiful appearance with good stabilization support.

Good locking system, light weight easy to Install and uninstall.

**Available in 84" 100" and 120" diagonal sizes
in Matt White fabric.**



Motorized Floor Rising ALR Screen
for Long Focus Projector—TD



ADVANTAGE FRIENDLY FEATURES

All In One

put the audio at the back, and combine the sound and image into one, giving people an immersive audiovisual experience.
*upon request



- ✧ Tensioned screen double featured with ambient light rejection and acoustic transparency
- ✧ A stunning solution for high ambient light environments
- ✧ Deliver exceptionally clear images even in brightly lit surroundings
- ✧ Available screen size up to 150 inches



Ground-rising structure coordinates with silent tubular motor drives a double v-shaped structure bracket, with uniform force, to avoid stretching deformation of the fabric.

Equipped with the anti-pinch infrared sensor, this means in the process of projector screen rising and dropping in case of obstacles, automatic stop, safe and reliable.

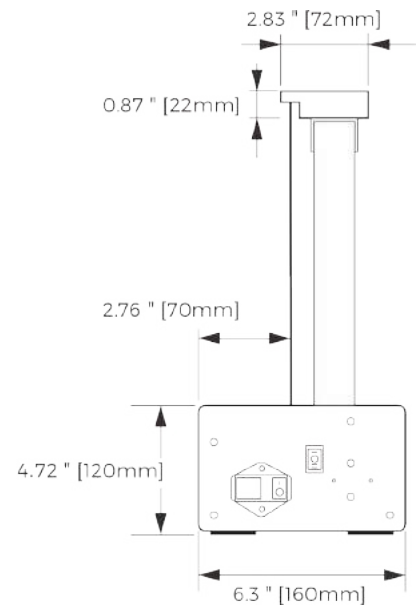
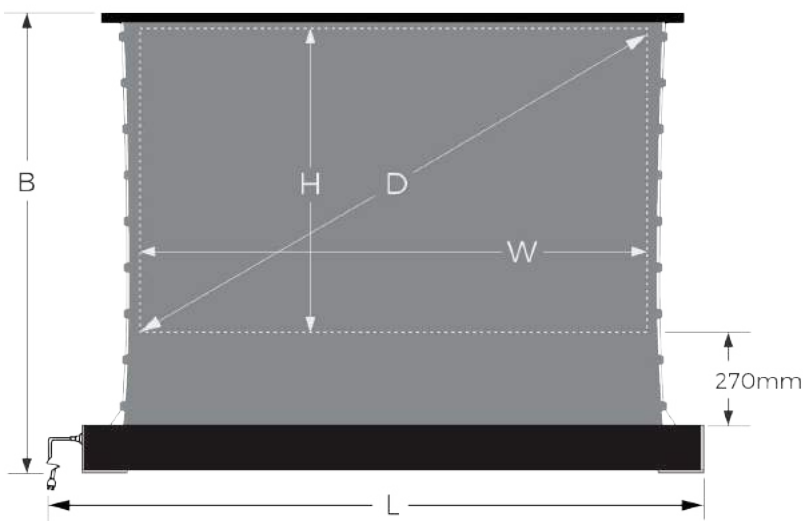
868MHz remote control (Internal Infrared and Radio Frequency receivers with IR/RF remotes included), which is convenient and fast to operate and supports limit adjustment.



Motorized Floor Rising ALR Screen SIZE

*Unit:mm

FORMAT	DIAG.SIZE	VIEWING AREA	SCREEN OVERALL LENGTH	SCREEN OVERALL HEIGHT	PACKAGE DIMENSIONS	APPROX. WEIGHT		NOTE
		(WxH)	L	B	W1xH1xL1	Kg	Lbs	
16:9	92"	2037x1145	2251	1535	280x180x2300	27	60	
	100"	2214x1245	2431	1635	280x180x2500	28	62	
	110"	2435x1369	2687	1760	280x180x2740	32	71	
	120"	2656x1494	2910	1884	280x180x2970	33	73	
	135"	2988x1680	3357	2030	280x180x3350	38	84	
	150"	3321x1867	3414	2257	280x180x3650	43	95	



liberty SCREEN PRO

AV-VISION
EQUIPMENTS (INDIA) PVT. LTD.

25/4 Part, Nicholson Road, Tarbund,
Secunderabad - 500009 Telangana, India.
Tel: +91(0)40-40165862 / 27955419
Mobile: + 91(0)9959024099 / 9908244099
CIN: U32304TG2007PTC056103
E-mail: sales@av-visionindia.co.in
www.av-visionindia.co.in

Sams AV-Tech (ShenZhen) Co., Ltd.
WEB www.samsav.com